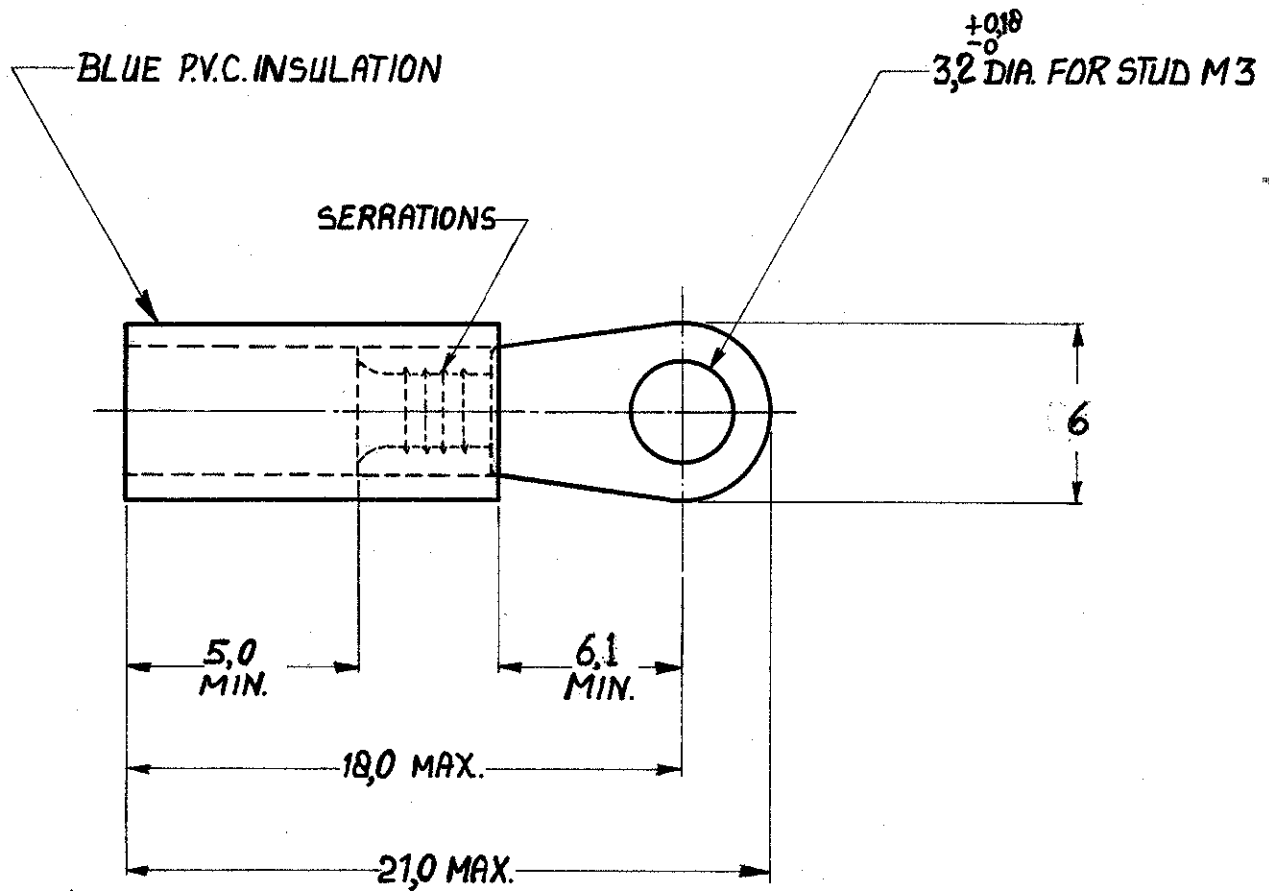


NUMBER C-165406-E



TONGUE MATERIAL THICKNESS: 0,8

REV C 20-8-85
DIMENSIONS IN M.M. DO NOT SCALE PRINT

CUSTOMER COPY FOR REFERENCE ONLY

©1970 BY AMP-HOLLAND N.V. ALL RIGHTS RESERVED A-MP PRODUCTS COVERED BY PATENTS AND/OR PATENTS PENDING.



AMP-HOLLAND N.V.
HERTOGENBOSCH
HOLLAND

2-165406-1	165406 TAPE MOUNTED	
165406	COPPER	TIN
ORDER NO.	MATERIAL	PLATING
DR R. Bissers 30/10-70	DATE	DE DATE
CHK	DATE	APP 16/11-1970

WIRE-RANGE 1,5-2,5 mm ²	INSUL.-RANGE 3,9 DIA. MAX.	TYPE DIN PLASTI-GRIP	SCALE 4:1	LOC H	SIZE A	NO C-165406-E	REV E
NAME INSULATED RINGTONGUE for stud M3							